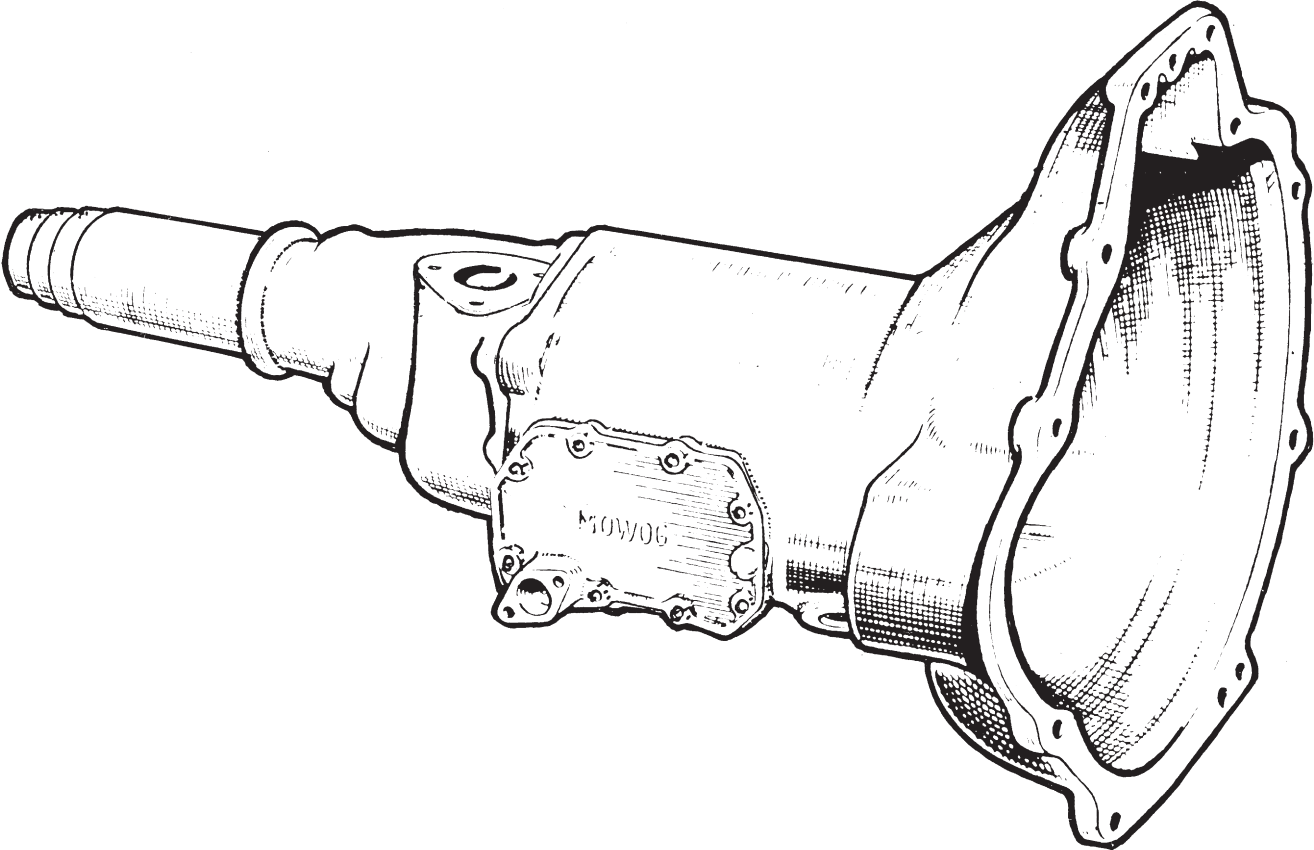
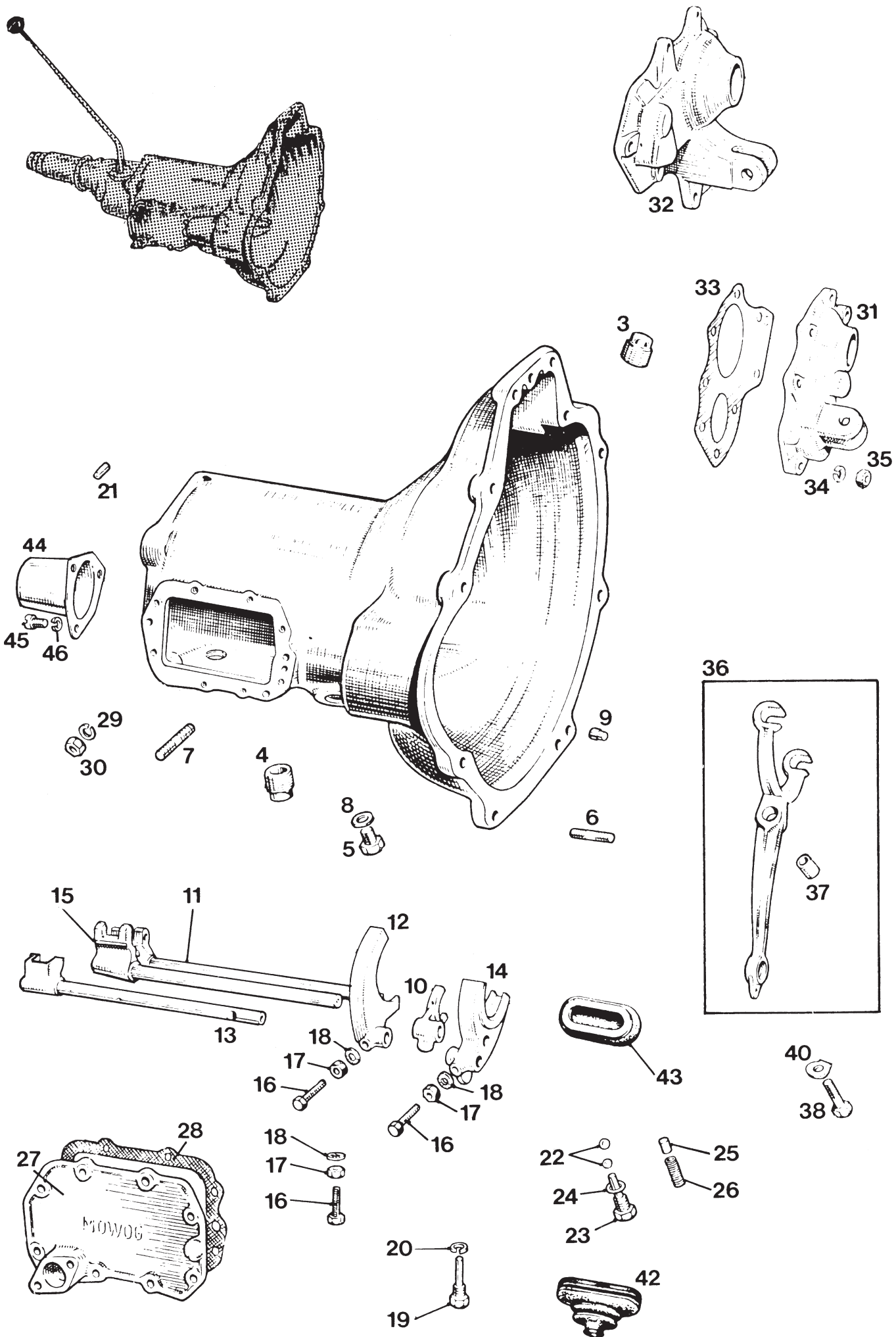
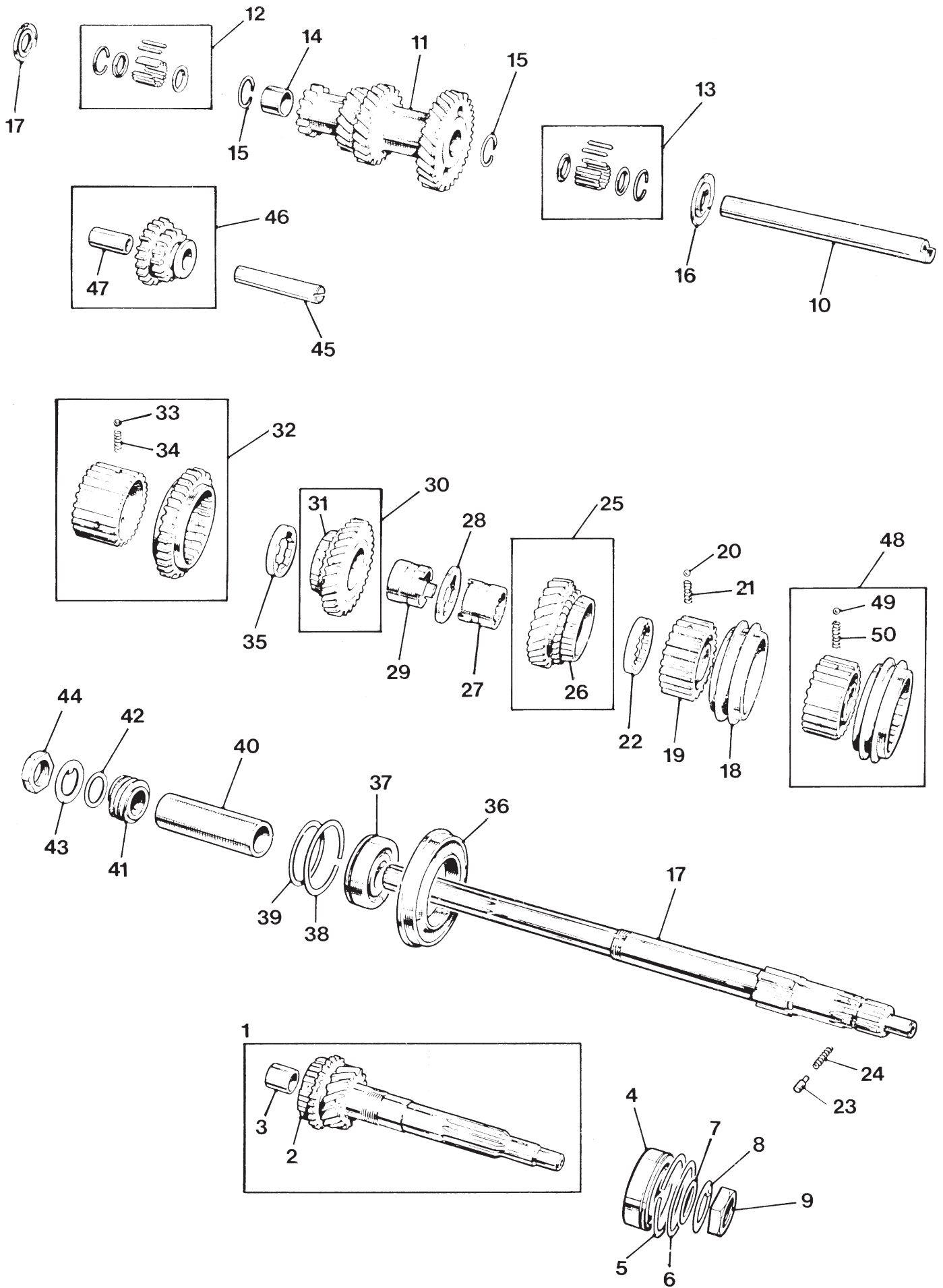


803cc





Part Number	ESM Order Ref.	Illus. No.	Description	Remarks
Gearbox - 803 cc				
8G103	10G103	3	Plug - oil filler	
8G104	10G103	4	Plug - oil drain	
8G105	10G105	5	Reverse plunger	
8G106	8G106	6	Stud - front cover	
8G107	8G106	7	Stud - side cover	
8G108	10G106	8	Washer - reverse plunger plug	
8G109	10G109	9	Dowel - gearbox to mounting plate	
8G110	10G110	10	Fork - release	
8G111	8G111SH	11	Rod - reverse fork	
8G112	9G111	12	Fork - 1st and 2nd speed	
8G113	8G113SH	13	Rod - 1st and 2nd speed fork	
8G114	9G113	14	Fork - 3rd and 4th speed	
8G115	9G115SH	15	Rod - 3rd and 4th speed fork	
8G116	10G116	16	Screw - fork locating	
8G117	FIX156	17	Washer - spring - 1/4"	
8G118	FIX137	18	Nut - 1/4" UNF	
8G119	8G119	19	Screw - locking - reverse shaft	
8G120	FIX156	20	Washer - spring - 1/4"	
8G121	10G121	21	Plunger - interlocking	
8G122	10G122	22	Ball - interlocking	
8G123	10G123SH	23	Plug - interlocking - ball hole	
8G124	10G106	24	Washer - fibre	
8G125	10G121	25	Plunger - fork rods	
8G126	10G126	26	Spring - plunger	
8G127	10G127SH	27	Cover - side	
8G128	10G128	28	Gasket - side cover	
8G129	FIX156	29	Washer - spring - 1/4"	
8G130	FIX137	30	Nut - 1/4" UNF	
8G131	9G130	31	Cover - front - RHD	
8G132	9G131	32	Cover - front - LHD	
8G133	9G132	33	Gasket - front cover	
8G134	FIX156	34	Washer - spring - 1/4"	
8G135	FIX137	35	Nut - 1/4" UNF	
8G136	9G135	36	Lever - clutch withdrawal	
8G137	FIX120	37	Bush - lever	
8G138	FIX119	38	Bolt - clutch withdrawal lever	
8G140	9G139	40	Washer - lock	
8G142	10G261	42	Cover - clutch withdrawal lever	
8G143	10G262	43	Cover - dust - blanking	
8G144	10G136SH	44	Cover - starter pinion	
8G145	10G137	45	Screw	
8G146	FIX156	46	Washer - spring - 1/4"	



Part Number	ESM Order Ref.	Illus. No.	Description	Remarks
Gearbox - 803 cc				
8G147	8G147	1	Shaft 1st motion	
8G148	NSP	2	Cone - synchronizing	
8G149	9G148	3	Bush	
8G150	10G141	4	Bearing - ball - 1st motionshaft	
8G151	10G142	5	Ring - spring	
Washer - packing - bearing:				
8G152	10G143	6	.004" (.1016 mm)	
8G153	10G144	6	.006" (.01524 mm)	
8G154	10G145	6	.010" (.254 mm)	
8G155	10G146SH	7	Washer - plain - shaft	
8G156	10G147	8	Washer - lock	
8G157	10G148	9	Nut	
8G158	10G149	10	Layshaft	
8G159	8G159	11	Laygear	
8G160	-	12	Bearing - needle roller (with spring clip)	Use 8G161
8G161	10G152		Bearing - needle roller (cage)	
8G162	10G153	14	Piece - distance	
8G163	10G154	15	Ring - spring	
Washer - thrust:				
8G164	10G155	16	Front	
8G165	10G156	17	Rear - .123" to .124" (3.12mm to 3.14mm)	
8G166	10G157	17	Rear - .125" to .126" (3.17mm to 3.20mm)	
8G167	10G158	17	Rear - .127" to .128" (3.22mm to 3.25mm)	
8G168	10G159	17	Rear - .130" to .131" (3.30mm to 3.32mm)	
8G169	9G167	18	Shaft 3rd motion	
8G170	9G168	19	Synchroniser assembly - 3rd and 4th speed	
8G171	10G101	20	Ball - synchronizer	
8G172	9G170	21	Spring - synchronizer	
Washer - thrust - front				
8G173	10G165	22	.212" to .213" (5.38mm to 5.41mm)	
8G174	10G166	22	.214" to .215" (5.43mm to 5.46mm)	
8G175	10G167	22	.216" to .217" (5.48mm to 5.51mm)	
8G176	10G168	22	.218" to .219" (5.53mm to 5.56mm)	
8G177	10G169	23	Peg - thrust washer	
8G178	9G176SH	24	Spring - peg	
8G179	8G179	25	Gear 3rd speed	
8G180	9G147SH	26	Cone - synchronizing	
8G181	10G171	27	Bush - 3rd speed gear	
8G182	10G173	28	Ring - interlocking - 2nd and 3rd speed gear bushes	
8G183	10G175	29	Bush 2nd speed gear	
8G184	9G182SH	30	Gear - 2nd speed	
8G185	NSP	31	Cone - synchronizing	
8G186	9G184SH	32	1st speed wheel and 2nd speed synchronizer assembly	
8G187	10G101	33	Ball - synchronizer	
8G188	9G186SH	34	Spring - synchronizer	
8G189	10G180	35	Washer - thrust - rear	
8G190	9G188SH	36	Bearing - housing	
8G191	10G141	37	Bearing - ball - 3rd motion shaft	
8G192	10G185	38	Ring - spring	
Washer - packing - bearing:				
8G193	10G143	39	.004" (.1016 mm)	
8G194	10G144	39	.006" (.1524 mm)	
8G195	10G145	39	.010" (.254mm)	
8G196	9G194SH	40	Piece - distance - 3rd motion shaft	
8G197	10G190	41	Wheel - speedometer	
8G198	10G146SH	42	Washer - plain	
8G199	10G192	43	Washer - lock	
8G200	10G193	44	Nut - 3rd motion shaft	
8G201	10G194SH	45	Shaft - reverse	
8G202	8G202	46	Wheel - reverse	
8G203	10G196	47	Bush - reverse wheel	

Part Number	ESM Order Ref.	Illus. No.	Description	Remarks
8G204	9G252	1	Gasket - extension	
8G205	10G199	2	Seal - oil	
8G208	10G198	5	Bush	
8G209	8G209SH	6	Pinion - speedometer	
8G210	9G212SH	7	Washer - joint - pinion bush	
8G211	9G213SH	8	Bush - pinion - nylon	
8G212	10G208	9	Seal - oil	
8G213	9G215SH	10	Ring - seal retaining	
8G214	8G214SH	11	Lever - change speed	
8G215	8G215SH	12	Peg - change speed lever locating	
8G216	8G216	13	Knob	
8G217	8G217	14	Nut - lock - 5/16" UNC X 1/2"	
8G218	8G218SH	15	Spring - anti-rattle	
8G219	8G219SH	16	Seat - top - change speed lever	
8G220	8G220SH	17	Seat - bottom - change speed lever	
8G221	8G221	18	Gasket	
8G222	FIX136	19	Screw - 1/4" UNF x 3/4"	
8G223	FIX156	20	Washer - spring - 1/4"	

